

Mechanical Energy Balance $\frac{\Delta p}{\rho} + \frac{\Delta(v)^2}{2\alpha} + \rho \Delta z + F_{\text{friction}} = -\frac{W_{\text{slip fluid}}}{m}$ $\left\{ \begin{array}{l} \alpha_{\text{laminar}} = 0.5 \\ \alpha_{\text{turbulent}} \approx 1 \end{array} \right.$

$$F_{\text{friction}} = \left[4f \frac{L}{D} + \sum_{\text{fittings}_i} n_i K_{f,i} \right] \frac{\rho v^2}{2}$$

Fanning Friction Factor (pipe flow) $f = \frac{F_{\text{drag}}}{\frac{1}{2} \rho (v)^2 (2\pi R L)} = \frac{\Delta p D}{2L \rho (v)^2}$

Note this is correct; there is an error on the inside cover

Drag Coefficient (sphere drop) $C_D = \frac{F_{\text{drag}}}{\frac{1}{2} \rho v_{\infty}^2 (\pi R^2)} = \frac{4gD(\rho_{\text{body}} - \rho)}{3\rho v_{\infty}^2}$

Momentum balance on a CV (Reynolds transport theorem) $\frac{dP}{dt} + \iint_{CS} (\hat{n} \cdot \underline{v}) \rho \underline{v} \cdot d\underline{S} = \sum_{\text{on CV}} f$

Hydrostatic Pressure $P_{\text{bottom}} = P_{\text{top}} + \rho g h$

Hagen-Poiseuille Equation (steady, laminar tube flow, incompressible) $Q = \frac{\pi (P_0 - P_L) R^4}{8\mu L}$

Prandtl Equation (steady, turbulent tube flow) $\frac{1}{\sqrt{f}} = -4.0 \log \left(\frac{4.67}{\text{Re} \sqrt{f}} \right) + 2.28$

Stokes-Einstein-Sutherland Equation (steady, slow flow around a sphere) $F_{\text{drag}} = 6\pi R \mu v_{\infty}$

Macroscopic Momentum Balance on a CV

$$\frac{dP}{dt} + \sum_{i=1}^{\# \text{ streams}} \left[\frac{\rho A \cos(\theta) (v)^2}{\beta} \right]_{i_1}^{i_2} = \sum_{i=1}^{\# \text{ streams}} [-p A \hat{n}]_{i_1} + R + M_{cv} \underline{g} \quad \left\{ \begin{array}{l} \beta_{\text{laminar}} = 0.75 \\ \beta_{\text{turbulent}} \approx 1 \end{array} \right.$$

Navier-Stokes equation (microscopic momentum balance, incompressible, Newtonian fluids)

$$\rho \left(\frac{\partial \underline{v}}{\partial t} + \underline{v} \cdot \nabla \underline{v} \right) = -\nabla p + \mu \nabla^2 \underline{v} + \rho \underline{g}$$

Continuity equation (microscopic mass balance, incompressible fluids)

$$\nabla \cdot \underline{v} = 0$$

Total stress tensor $\underline{\underline{\tau}} = -p \underline{\underline{I}} + \underline{\underline{\tilde{\tau}}}$ $\begin{pmatrix} \underline{\underline{\tau}}_{11} & \underline{\underline{\tau}}_{12} & \underline{\underline{\tau}}_{13} \\ \underline{\underline{\tau}}_{21} & \underline{\underline{\tau}}_{22} & \underline{\underline{\tau}}_{23} \\ \underline{\underline{\tau}}_{31} & \underline{\underline{\tau}}_{32} & \underline{\underline{\tau}}_{33} \end{pmatrix} = \begin{pmatrix} \tilde{\tau}_{11} - p & \tilde{\tau}_{12} & \tilde{\tau}_{13} \\ \tilde{\tau}_{21} & \tilde{\tau}_{22} - p & \tilde{\tau}_{23} \\ \tilde{\tau}_{31} & \tilde{\tau}_{32} & \tilde{\tau}_{33} - p \end{pmatrix}_{123}$

Dynamic pressure $\mathcal{P} \equiv p + \rho g h$

Newtonian constitutive equation $\underline{\underline{\tilde{\tau}}} = \mu \left(\nabla \underline{v} + (\nabla \underline{v})^T \right)$

$$= \mu \begin{pmatrix} 2\frac{\partial v_x}{\partial x_1} & \frac{\partial v_x}{\partial x_1} + \frac{\partial v_x}{\partial x_2} & \frac{\partial v_x}{\partial x_1} + \frac{\partial v_x}{\partial x_3} \\ \frac{\partial v_x}{\partial x_1} + \frac{\partial v_x}{\partial x_2} & 2\frac{\partial v_x}{\partial x_2} & \frac{\partial v_x}{\partial x_2} + \frac{\partial v_x}{\partial x_3} \\ \frac{\partial v_x}{\partial x_1} + \frac{\partial v_x}{\partial x_3} & \frac{\partial v_x}{\partial x_2} + \frac{\partial v_x}{\partial x_3} & 2\frac{\partial v_x}{\partial x_3} \end{pmatrix}_{123}$$

Total molecular fluid force on a finite surface $\underline{\underline{\mathcal{F}}} = \iint_S [\hat{n} \cdot \underline{\underline{\tau}}]_{\text{at surface}} dS$

Stationary fluid $[\hat{n} \cdot \underline{\underline{\tau}}] = -p \hat{n}$

Moving fluid $[\hat{n} \cdot \underline{\underline{\tau}}] = -p \hat{n} + \hat{n} \cdot \underline{\underline{\tilde{\tau}}}$

Total fluid torque on a finite surface $\underline{\underline{\mathcal{T}}} = \iint_S [\underline{\underline{R}} \times (\hat{n} \cdot \underline{\underline{\tau}})]_{\text{at surface}} dS$

Total flow rate out through a finite surface $\underline{\underline{Q}} = \dot{V} = \iint_S [\hat{n} \cdot \underline{v}]_{\text{at surface}} dS$

Average velocity across a finite surface $\underline{\underline{S}} \quad \langle v \rangle = \frac{Q}{S}$

Coordinate system	surface differential dS
Cartesian (top, $\hat{n} = \hat{e}_z$)	$dS = dx dy$
Cartesian (side a, $\hat{n} = \hat{e}_y$)	$dS = dx dz$
Cartesian (side b, $\hat{n} = \hat{e}_x$)	$dS = dy dz$
cylindrical (top, $\hat{n} = \hat{e}_z$)	$dS = r dr d\theta$
cylindrical (side, $\hat{n} = \hat{e}_r$)	$dS = R d\theta dz$
spherical, ($\hat{n} = \hat{e}_r$)	$dS = R^2 \sin \theta d\theta d\phi$

Coordinate system	volume differential dV
Cartesian	$dV = dx dy dz$
cylindrical	$dV = r dr d\theta dz$
spherical	$dV = r^2 \sin \theta dr d\theta d\phi$

Coordinate system	coordinates	basis vectors
spherical	$x = r \sin \theta \cos \phi$ $y = r \sin \theta \sin \phi$ $z = r \cos \theta$	$\hat{e}_r = (\sin \theta \cos \phi \hat{e}_x) + (\sin \theta \sin \phi \hat{e}_y) + \cos \theta \hat{e}_z$ $\hat{e}_\theta = (\cos \theta \cos \phi) \hat{e}_x + (\cos \theta \sin \phi) \hat{e}_y + (-\sin \theta) \hat{e}_z$ $\hat{e}_\phi = (-\sin \phi) \hat{e}_x + \cos \phi \hat{e}_y$
cylindrical	$x = r \cos \theta$ $y = r \sin \theta$ $z = z$	$\hat{e}_r = \cos \theta \hat{e}_x + \sin \theta \hat{e}_y$ $\hat{e}_\theta = (-\sin \theta) \hat{e}_x + \cos \theta \hat{e}_y$ $\hat{e}_z = \hat{e}_z$

Divergence Theorem $\iiint_S \hat{n} \cdot \mathbf{E} dS = \iiint_V \nabla \cdot \mathbf{E} dV$

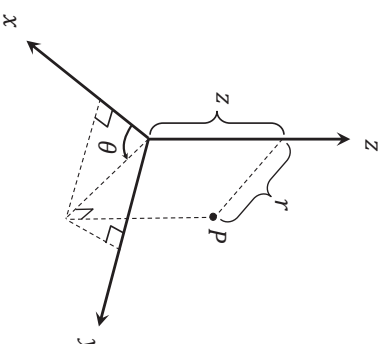
Stokes Theorem $\oint_C \hat{i} \cdot \mathbf{E} dl = \iint_S \hat{n} \cdot (\nabla \times \mathbf{E}) dS$

Vector identities:

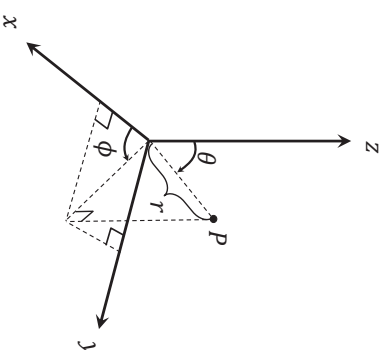
$\nabla \cdot \nabla \times \mathbf{E} = 0$ (Divergence of curl = 0)
 $\nabla \times \nabla f = 0$ (Curl of gradient = 0)
 $\nabla \cdot (fg) = f \nabla \cdot g + g \nabla f$
 $\mathbf{E} \cdot \nabla \mathbf{E} = \frac{1}{2} \nabla (E^2) - \mathbf{E} \times (\nabla \times \mathbf{E})$
 $\nabla \cdot (f\mathbf{E}) = f \nabla \cdot \mathbf{E} + \mathbf{E} \cdot \nabla f$
 $\nabla \times \nabla \times \mathbf{E} = \nabla (\nabla \cdot \mathbf{E}) - \nabla^2 \mathbf{E}$
 $\nabla \cdot (\mathbf{E} \times \mathbf{G}) = \mathbf{G} \cdot (\nabla \times \mathbf{E}) - \mathbf{E} \cdot (\nabla \times \mathbf{G})$

The equations in F. A. Morrison, *An Introduction to Fluid Mechanics* (Cambridge, 2013) assume the following definitions of the cylindrical and spherical coordinate systems.

Cylindrical Coordinate System: Note that the θ -coordinate swings around the z -axis



Spherical Coordinate System: Note that the θ -coordinate swings down from the z -axis; this is different from its definition in the cylindrical system above.



FACTORS FOR UNIT CONVERSIONS

Quantity	Equivalent Values
Mass	$1 \text{ kg} = 1000 \text{ g} = 0.001 \text{ metric ton} = 2.20462 \text{ lb}_m = 35.27392 \text{ oz}$ $1 \text{ lb}_m = 16 \text{ oz} = 5 \times 10^{-4} \text{ ton} = 453.593 \text{ g} = 0.453593 \text{ kg}$
Length	$1 \text{ m} = 100 \text{ cm} = 1000 \text{ mm} = 10^6 \text{ microns } (\mu\text{m}) = 10^{10} \text{ angstroms } (\text{\AA})$ $= 39.3701 \text{ in} = 3.28084 \text{ ft} = 1.09361 \text{ yd} = 0.000621371 \text{ mile}$ $1 \text{ ft} = 12 \text{ in.} = 1/3 \text{ yd} = 0.3048 \text{ m} = 30.48 \text{ cm}$
Volume	$1 \text{ m}^3 = 1000 \text{ liters} = 10^6 \text{ cm}^3 = 10^6 \text{ ml}$ $= 35.31467 \text{ ft}^3 = 219.969 \text{ imperial gallons} = 264.172 \text{ gal}$ $= 1056.69 \text{ qt}$ $1 \text{ ft}^3 = 1728 \text{ in}^3 = 7.48052 \text{ gal} = 0.028317 \text{ m}^3 = 28.3168 \text{ liters}$ $= 28,316.8 \text{ cm}^3$
Force	$1 \text{ N} = 1 \text{ kg}\cdot\text{m}/\text{s}^2 = 10^5 \text{ dynes} = 10^5 \text{ g}\cdot\text{cm}/\text{s}^2 = 0.22481 \text{ lb}_f$ $1 \text{ lb}_f = 32.174 \text{ lb}_m\cdot\text{ft}/\text{s}^2 = 4.4482 \text{ N} = 4.4482 \times 10^5 \text{ dynes}$
Pressure	$1 \text{ atm} = 1.01325 \times 10^5 \text{ N}/\text{m}^2 \text{ (Pa)} = 101.325 \text{ kPa} = 1.01325 \text{ bars}$ $= 1.01325 \times 10^6 \text{ dynes}/\text{cm}^2$ $= 760 \text{ mm Hg at } 0^\circ \text{ C (torr)} = 10.333 \text{ m H}_2\text{O at } 4^\circ \text{ C}$ $= 14.696 \text{ lb}_f/\text{in}^2 \text{ (psi)} = 33.9 \text{ ft H}_2\text{O at } 4^\circ \text{ C}$ $100 \text{ kPa} = 1 \text{ bar}$
Energy	$1 \text{ J} = 1 \text{ N}\cdot\text{m} = 10^7 \text{ ergs} = 10^7 \text{ dyne}\cdot\text{cm}$ $= 2.778 \times 10^{-7} \text{ kW}\cdot\text{h} = 0.23901 \text{ cal}$ $= 0.7376 \text{ ft}\cdot\text{lb}_f = 9.47817 \times 10^{-4} \text{ Btu}$
Power	$1 \text{ W} = 1 \text{ J}/\text{s} = 0.23885 \text{ cal}/\text{s} = 0.7376 \text{ ft}\cdot\text{lb}_f/\text{s} = 9.47817 \times 10^{-4} \text{ Btu}/\text{s} = 3.4121 \text{ Btu}/\text{h}$ $= 1.341 \times 10^{-3} \text{ hp (horsepower)}$
Viscosity	$1 \text{ Pa}\cdot\text{s} = 1 \text{ N}\cdot\text{s}/\text{m}^2 = 1 \text{ kg}/\text{m}\cdot\text{s}$ $= 10 \text{ poise} = 10 \text{ dynes}\cdot\text{s}/\text{cm}^2 = 10 \text{ g}/\text{cm}\cdot\text{s}$ $= 10^3 \text{ cp (centipoise)}$ $= 0.67197 \text{ lb}_m/\text{ft}\cdot\text{s} = 2419.088 \text{ lb}_m/\text{ft}\cdot\text{h}$
Density	$1 \text{ kg}/\text{m}^3 = 10^{-3} \text{ g}/\text{cm}^3$ $= 0.06243 \text{ lb}_m/\text{ft}^3$ $10^3 \text{ kg}/\text{m}^3 = 1 \text{ g}/\text{cm}^3 = 62.428 \text{ lb}_m/\text{ft}^3$
Volumetric Flow	$1 \text{ m}^3/\text{s} = 35.31467 \text{ ft}^3/\text{s} = 15,850.32 \text{ gal}/\text{min (gpm)}$ $1 \text{ gpm} = 6.30902 \times 10^{-5} \text{ m}^3/\text{s} = 2.228009 \times 10^{-3} \text{ ft}^3/\text{s} = 3.7854 \text{ liter}/\text{min}$ $1 \text{ liter}/\text{min} = 0.26417 \text{ gpm}$

Temperature	$T(^{\circ}C) = \frac{5}{9}[T(^{\circ}F) - 32]$ $T(^{\circ}F) = \frac{9}{5}T(^{\circ}C) + 32 = 1.8T(^{\circ}C) + 32$
Absolute Temperature	$T(K) = T(^{\circ}C) + 273.15$ $T(^{\circ}R) = T(^{\circ}F) + 459.67$
Temperature Interval (ΔT)	$1 C^{\circ} = 1 K = 1.8 F^{\circ} = 1.8 R^{\circ}$ $1 F^{\circ} = 1 R^{\circ} = (5/9) C^{\circ} = (5/9) K$

USEFUL QUANTITIES

$$SG = \rho(20^{\circ}C) / \rho_{\text{water}}(4^{\circ}C)$$

$$\rho_{\text{water}}(4^{\circ}C) = 1000 \text{ kg/m}^3 = 62.43 \text{ lb}_m/\text{ft}^3 = 1.000 \text{ g/cm}^3$$

$$\rho_{\text{water}}(25^{\circ}C) = 997.08 \text{ kg/m}^3 = 62.25 \text{ lb}_m/\text{ft}^3 = 0.99709 \text{ g/cm}^3$$

$$g = 9.8066 \text{ m/s}^2 = 980.66 \text{ cm/s}^2 = 32.174 \text{ ft/s}^2$$

$$\mu_{\text{water}}(25^{\circ}C) = 8.937 \times 10^{-4} \text{ Pa}\cdot\text{s} = 8.937 \times 10^{-4} \text{ kg/m}\cdot\text{s}$$

$$= 0.8937 \text{ cp} = 0.8937 \times 10^{-2} \text{ g/cm}\cdot\text{s} = 6.005 \times 10^{-4} \text{ lb}_m/\text{ft}\cdot\text{s}$$

Composition of air:	N ₂	78.03%
	O ₂	20.99%
	Ar	0.94%
	CO ₂	0.03%
	H ₂ , He, Ne, Kr, Xe	<u>0.01%</u>
		100.00%

$$M_{\text{air}} = 29 \text{ g/mol} = 29 \text{ kg/kmol} = 29 \text{ lb}_m/\text{lbmole}$$

$$\hat{C}_{p,\text{water}}(25^{\circ}C) = 4.182 \text{ kJ/kg}\cdot\text{K} = 0.9989 \text{ cal/g}\cdot\text{C} = 0.9997 \text{ Btu/lb}_m\cdot\text{F}$$

$$R = 8.314 \text{ m}^3\cdot\text{Pa/mol}\cdot\text{K} = 0.08314 \text{ liter}\cdot\text{bar/mol}\cdot\text{K} = 0.08206 \text{ liter}\cdot\text{atm/mol}\cdot\text{K}$$

$$= 62.36 \text{ liter}\cdot\text{mm Hg/mol}\cdot\text{K} = 0.7302 \text{ ft}^3\cdot\text{atm/lbmole}\cdot\text{R}$$

$$= 10.73 \text{ ft}^3\cdot\text{psia/lbmole}\cdot\text{R}$$

$$= 8.314 \text{ J/mol}\cdot\text{K}$$

$$= 1.987 \text{ cal/mol}\cdot\text{K} = 1.987 \text{ Btu/lbmole}\cdot\text{R}$$

A.2-11 Heat-Transfer Properties of Liquid Water, SI Units

T (°C)	T (K)	ρ (kg/m ³)	c_p (kJ/kg·K)	$\mu \times 10^3$ (Pa·s, or kg/m·s)	k (W/m·K)	N_{Pr}	$\beta \times 10^4$ (1/K)	$(g\beta\rho^2/\mu^2) \times 10^{-8}$ (1/K·m ³)
0	273.2	999.6	4.229	1.786	0.5694	13.3	-0.630	
15.6	288.8	998.0	4.187	1.131	0.5884	8.07	1.44	10.93
26.7	299.9	996.4	4.183	0.860	0.6109	5.89	2.34	30.70
37.8	311.0	994.7	4.183	0.682	0.6283	4.51	3.24	68.0
65.6	338.8	981.9	4.187	0.432	0.6629	2.72	5.04	256.2
93.3	366.5	962.7	4.229	0.3066	0.6802	1.91	6.66	642
121.1	394.3	943.5	4.271	0.2381	0.6836	1.49	8.46	1300
148.9	422.1	917.9	4.312	0.1935	0.6836	1.22	10.08	2231
204.4	477.6	858.6	4.522	0.1384	0.6611	0.950	14.04	5308
260.0	533.2	784.9	4.982	0.1042	0.6040	0.859	19.8	11 030
315.6	588.8	679.2	6.322	0.0862	0.5071	1.07	31.5	19 260

A.2-11 Heat-Transfer Properties of Liquid Water, English Units

T (°F)	ρ ($\frac{lb_m}{ft^3}$)	c_p ($\frac{btu}{lb_m \cdot ^\circ F}$)	$\mu \times 10^3$ ($\frac{lb_m}{ft \cdot s}$)	k ($\frac{btu}{h \cdot ft \cdot ^\circ F}$)	N_{Pr}	$\beta \times 10^4$ (1/°R)	$(g\beta\rho^2/\mu^2) \times 10^{-6}$ (1/°R·ft ³)
32	62.4	1.01	1.20	0.329	13.3	-0.350	
60	62.3	1.00	0.760	0.340	8.07	0.800	17.2
80	62.2	0.999	0.578	0.353	5.89	1.30	48.3
100	62.1	0.999	0.458	0.363	4.51	1.80	107
150	61.3	1.00	0.290	0.383	2.72	2.80	403
200	60.1	1.01	0.206	0.393	1.91	3.70	1010
250	58.9	1.02	0.160	0.395	1.49	4.70	2045
300	57.3	1.03	0.130	0.395	1.22	5.60	3510
400	53.6	1.08	0.0930	0.382	0.950	7.80	8350
500	49.0	1.19	0.0700	0.349	0.859	11.0	17 350
600	42.4	1.51	0.0579	0.293	1.07	17.5	30 300

Geankoplis, 4th edition

NOTE: Equate the label to the provided quantity in the supplied units. For example, for water at 0°C:

$$\mu \times 10^3 = 1.786 \text{ Pa s}$$

$$\mu = 1.786 \times 10^{-3} \text{ Pa s}$$

A.3-3 Physical Properties of Air at 101.325 kPa (1 Atm Abs), SI Units

T (°C)	T (K)	ρ (kg/m ³)	c_p (kJ/kg·K)	$\mu \times 10^5$ (Pa·s, or kg/m·s)	k (W/m·K)	N_{Pr}	$\beta \times 10^3$ (1/K)	$g\beta\rho^2/\mu^2$ (1/K·m ³)
-17.8	255.4	1.379	1.0048	1.62	0.02250	0.720	3.92	2.79×10^8
0	273.2	1.293	1.0048	1.72	0.02423	0.715	3.65	2.04×10^8
10.0	283.2	1.246	1.0048	1.78	0.02492	0.713	3.53	1.72×10^8
37.8	311.0	1.137	1.0048	1.90	0.02700	0.705	3.22	1.12×10^8
65.6	338.8	1.043	1.0090	2.03	0.02925	0.702	2.95	0.775×10^8
93.3	366.5	0.964	1.0090	2.15	0.03115	0.694	2.74	0.534×10^8
121.1	394.3	0.895	1.0132	2.27	0.03323	0.692	2.54	0.386×10^8
148.9	422.1	0.838	1.0174	2.37	0.03531	0.689	2.38	0.289×10^8
176.7	449.9	0.785	1.0216	2.50	0.03721	0.687	2.21	0.214×10^8
204.4	477.6	0.740	1.0258	2.60	0.03894	0.686	2.09	0.168×10^8
232.2	505.4	0.700	1.0300	2.71	0.04084	0.684	1.98	0.130×10^8
260.0	533.2	0.662	1.0341	2.80	0.04258	0.680	1.87	0.104×10^8

A.3-3 Physical Properties of Air at 101.325 kPa (1 Atm Abs), English Units

T (°F)	ρ ($\frac{lb_m}{ft^3}$)	c_p ($\frac{btu}{lb_m \cdot ^\circ F}$)	μ (centipoise)	k ($\frac{btu}{h \cdot ft \cdot ^\circ F}$)	N_{Pr}	$\beta \times 10^3$ (1/°R)	$g\beta\rho^2/\mu^2$ (1/°R·ft ³)
0	0.0861	0.240	0.0162	0.0130	0.720	2.18	4.39×10^6
32	0.0807	0.240	0.0172	0.0140	0.715	2.03	3.21×10^6
50	0.0778	0.240	0.0178	0.0144	0.713	1.96	2.70×10^6
100	0.0710	0.240	0.0190	0.0156	0.705	1.79	1.76×10^6
150	0.0651	0.241	0.0203	0.0169	0.702	1.64	1.22×10^6
200	0.0602	0.241	0.0215	0.0180	0.694	1.52	0.840×10^6
250	0.0559	0.242	0.0227	0.0192	0.692	1.41	0.607×10^6
300	0.0523	0.243	0.0237	0.0204	0.689	1.32	0.454×10^6
350	0.0490	0.244	0.0250	0.0215	0.687	1.23	0.336×10^6
400	0.0462	0.245	0.0260	0.0225	0.686	1.16	0.264×10^6
450	0.0437	0.246	0.0271	0.0236	0.674	1.10	0.204×10^6
500	0.0413	0.247	0.0280	0.0246	0.680	1.04	0.163×10^6

Source: National Bureau of Standards. Circular 461C, 1947: 564, 1955: NBS-NACA. Tables of Thermal Properties of Gases, 1949; F. G. Keyes. Trans. A.S.M.E., 73, 590, 597 (1951); 74, 1303 (1952); D. D. Wagman, Selected Values of Chemical Thermodynamic Properties, Washington, D.C.: National Bureau of Standards, 1953.

Geankoplis, 4th edition

NOTE: Equate the label to the provided quantity in the supplied units. For example, for air at 0°C:

$$\mu \times 10^5 = 1.72 \text{ Pa s}$$

$$\mu = 1.72 \times 10^{-5} \text{ Pa s}$$

A.2-9 Properties of Saturated Steam and Water (Steam Table), SI Units

Temperature (°C)	Vapor Pressure (kPa)	Specific Volume (m ³ /kg)		Enthalpy (kJ/kg)		Entropy (kJ/kg·K)	
		Liquid	Sat'd Vapor	Liquid	Sat'd Vapor	Liquid	Sat'd Vapor
0.01	0.6113	0.0010002	206.136	0.00	2501.4	0.0000	9.1562
3	0.7577	0.0010001	168.132	12.57	2506.9	0.0457	9.0773
6	0.9349	0.0010001	137.734	25.20	2512.4	0.0912	9.0003
9	1.1477	0.0010003	113.386	37.80	2517.9	0.1362	8.9253
12	1.4022	0.0010005	93.784	50.41	2523.4	0.1806	8.8524
15	1.7051	0.0010009	77.926	62.99	2528.9	0.2245	8.7814
18	2.0640	0.0010014	65.038	75.58	2534.4	0.2679	8.7123
21	2.487	0.0010020	54.514	88.14	2539.9	0.3109	8.6450
24	2.985	0.0010027	45.883	100.70	2545.4	0.3534	8.5794
25	3.169	0.0010029	43.360	104.89	2547.2	0.3674	8.5580
27	3.567	0.0010035	38.774	113.25	2550.8	0.3954	8.5156
30	4.246	0.0010043	32.894	125.79	2556.3	0.4369	8.4533
33	5.034	0.0010053	28.011	138.33	2561.7	0.4781	8.3927
36	5.947	0.0010063	23.940	150.86	2567.1	0.5188	8.3336
40	7.384	0.0010078	19.523	167.57	2574.3	0.5725	8.2570
45	9.593	0.0010099	15.258	188.45	2583.2	0.6387	8.1648
50	12.349	0.0010121	12.032	209.33	2592.1	0.7038	8.0763
55	15.758	0.0010146	9.568	230.23	2600.9	0.7679	7.9913
60	19.940	0.0010172	7.671	251.13	2609.6	0.8312	7.9096
65	25.03	0.0010199	6.197	272.06	2618.3	0.8935	7.8310
70	31.19	0.0010228	5.042	292.98	2626.8	0.9549	7.7553
75	38.58	0.0010259	4.131	313.93	2635.3	1.0155	7.6824
80	47.39	0.0010291	3.407	334.91	2643.7	1.0753	7.6122
85	57.83	0.0010325	2.828	355.90	2651.9	1.1343	7.5445
90	70.14	0.0010360	2.361	376.92	2660.1	1.1925	7.4791
95	84.55	0.0010397	1.9819	397.96	2668.1	1.2500	7.4159
100	101.35	0.0010435	1.6729	419.04	2676.1	1.3069	7.3549
105	120.82	0.0010475	1.4194	440.15	2683.8	1.3630	7.2958
110	143.27	0.0010516	1.2102	461.30	2691.5	1.4185	7.2387
115	169.06	0.0010559	1.0366	482.48	2699.0	1.4734	7.1833
120	198.53	0.0010603	0.8919	503.71	2706.3	1.5276	7.1296
125	232.1	0.0010649	0.7706	524.99	2713.5	1.5813	7.0775
130	270.1	0.0010697	0.6685	546.31	2720.5	1.6344	7.0269
135	313.0	0.0010746	0.5822	567.69	2727.3	1.6870	6.9777
140	316.3	0.0010797	0.5089	589.13	2733.9	1.7391	6.9299
145	415.4	0.0010850	0.4463	610.63	2740.3	1.7907	6.8833
150	475.8	0.0010905	0.3928	632.20	2746.5	1.8418	6.8379
155	543.1	0.0010961	0.3468	653.84	2752.4	1.8925	6.7935
160	617.8	0.0011020	0.3071	675.55	2758.1	1.9427	6.7502
165	700.5	0.0011080	0.2727	697.34	2763.5	1.9925	6.7078
170	791.7	0.0011143	0.2428	719.21	2768.7	2.0419	6.6663
175	892.0	0.0011207	0.2168	741.17	2773.6	2.0909	6.6256
180	1002.1	0.0011274	0.19405	763.22	2778.2	2.1396	6.5857
190	1254.4	0.0011414	0.15654	807.62	2786.4	2.2359	6.5079
200	1553.8	0.0011565	0.12736	852.45	2793.2	2.3309	6.4323
225	2548	0.0011992	0.07849	966.78	2803.3	2.5639	6.2503
250	3973	0.0012512	0.05013	1085.36	2801.5	2.7927	6.0730
275	5942	0.0013168	0.03279	1210.07	2785.0	3.0208	5.8938
300	8581	0.0010436	0.02167	1344.0	2749.0	3.2534	5.7045

Source: Abridged from I. H. Keenan, F. G. Keyes, P. G. Hill, and J. G. Moore, *Steam Tables—Metric Units*. New York: John Wiley & Sons, Inc., 1969. Reprinted by permission of John Wiley & Sons, Inc.

From Geankoplis
4th Edition