

Equations Summary from Inside Cover of Morrison, 2013

Mechanical Energy Balance $\frac{\Delta p}{\rho} + \frac{\Delta \langle v \rangle^2}{2\alpha} + g\Delta z + F_{friction} = -\frac{W_{s,by fluid}}{m}$ $\begin{cases} \alpha_{laminar} = 0.5 \\ \alpha_{turbulent} \approx 1 \end{cases}$

$$F_{friction} = \left[4f \frac{L}{D} + \sum_{fittings_i} n_i K_{f,i} \right] \frac{\langle v \rangle^2}{2}$$

Fanning Friction Factor (pipe flow)

$$f = \frac{F_{drag}}{\frac{1}{2} \rho \langle v \rangle^2 (2\pi RL)} = \frac{\Delta p D}{2L \rho \langle v \rangle^2}$$

Note this is correct; there is an error on the inside cover

Drag Coefficient (sphere drop)

$$C_D = \frac{F_{drag}}{\frac{1}{2} \rho v_\infty^2 (\pi R^2)} = \frac{4gD(\rho_{body} - \rho)}{3\rho v_\infty^2}$$

Momentum balance on a CV (Reynolds transport theorem)

$$\frac{d\mathbf{P}}{dt} + \iint_{CS} (\hat{n} \cdot \underline{v}) \rho \underline{v} dS = \sum_{on CV} \underline{f}$$

Hydrostatic Pressure

$$p_{bottom} = p_{top} + \rho gh$$

Hagen-Poiseuille Equation (steady, laminar tube flow, incompressible)

$$Q = \frac{\pi(p_0 - p_L)R^4}{8\mu L}$$

Prandtl Equation (steady, turbulent tube flow)

$$\frac{1}{\sqrt{f}} = -4.0 \log \left(\frac{4.67}{Re\sqrt{f}} \right) + 2.28$$

Stokes-Einstein-Sutherland Equation (steady, slow flow around a sphere)

$$F_{drag} = 6\pi R\mu v_\infty$$

Macroscopic Momentum Balance on a CV

$$\frac{d\mathbf{P}}{dt} + \sum_{i=1}^{\#streams} \left[\frac{\rho A \cos(\theta) \langle v \rangle^2}{\beta} \hat{v} \right]_{A_i} = \sum_{i=1}^{\#streams} [-pA\hat{n}]_{A_i} + \underline{R} + M_{CV}\underline{g}$$
 $\begin{cases} \beta_{laminar} = 0.75 \\ \beta_{turbulent} \approx 1 \end{cases}$

Navier-Stokes equation (microscopic momentum balance, incompressible, Newtonian fluids)

$$\rho \left(\frac{\partial \underline{v}}{\partial t} + \underline{v} \cdot \nabla \underline{v} \right) = -\nabla p + \mu \nabla^2 \underline{v} + \rho \underline{g}$$

Continuity equation (microscopic mass balance, incompressible fluids)

$$\nabla \cdot \underline{v} = 0$$

Total stress tensor $\underline{\tilde{\Pi}} = -p\underline{I} + \underline{\tilde{\tau}}$

$$\begin{pmatrix} \tilde{\Pi}_{11} & \tilde{\Pi}_{12} & \tilde{\Pi}_{13} \\ \tilde{\Pi}_{21} & \tilde{\Pi}_{22} & \tilde{\Pi}_{23} \\ \tilde{\Pi}_{31} & \tilde{\Pi}_{32} & \tilde{\Pi}_{33} \end{pmatrix}_{123} = \begin{pmatrix} \tilde{\tau}_{11} - p & \tilde{\tau}_{12} & \tilde{\tau}_{13} \\ \tilde{\tau}_{21} & \tilde{\tau}_{22} - p & \tilde{\tau}_{23} \\ \tilde{\tau}_{31} & \tilde{\tau}_{32} & \tilde{\tau}_{33} - p \end{pmatrix}_{123}$$

Dynamic pressure $\mathcal{P} \equiv p + \rho gh$

Newtonian constitutive equation $\underline{\tilde{\tau}} = \mu \left(\nabla \underline{v} + (\nabla \underline{v})^T \right)$

$$= \mu \begin{pmatrix} 2\frac{\partial v_1}{\partial x_1} & \frac{\partial v_2}{\partial x_1} + \frac{\partial v_1}{\partial x_2} & \frac{\partial v_3}{\partial x_1} + \frac{\partial v_1}{\partial x_3} \\ \frac{\partial v_2}{\partial x_1} + \frac{\partial v_1}{\partial x_2} & 2\frac{\partial v_2}{\partial x_2} & \frac{\partial v_2}{\partial x_3} + \frac{\partial v_3}{\partial x_2} \\ \frac{\partial v_3}{\partial x_1} + \frac{\partial v_1}{\partial x_3} & \frac{\partial v_2}{\partial x_3} + \frac{\partial v_3}{\partial x_2} & 2\frac{\partial v_3}{\partial x_3} \end{pmatrix}_{123}$$

Total molecular fluid force on a finite surface \mathcal{S} $\underline{\mathcal{F}} = \iint_{\mathcal{S}} \left[\hat{n} \cdot \underline{\tilde{\Pi}} \right]_{\text{at surface}} dS$

Stationary fluid $\left[\hat{n} \cdot \underline{\tilde{\Pi}} \right] = -p\hat{n}$

Moving fluid $\left[\hat{n} \cdot \underline{\tilde{\Pi}} \right] = -p\hat{n} + \hat{n} \cdot \underline{\tilde{\tau}}$

Total fluid torque on a finite surface \mathcal{S} $\underline{\mathcal{T}} = \iint_{\mathcal{S}} \left[\underline{R} \times \left(\hat{n} \cdot \underline{\tilde{\Pi}} \right) \right]_{\text{at surface}} dS$

Total flow rate out through a finite surface \mathcal{S} $Q = \dot{V} = \iint_{\mathcal{S}} \left[\hat{n} \cdot \underline{v} \right]_{\text{at surface}} dS$

Average velocity across a finite surface \mathcal{S} $\langle v \rangle = \frac{Q}{\mathcal{S}}$

Coordinate system	surface differential dS
Cartesian (top, $\hat{n} = \hat{e}_z$)	$dS = dx dy$
Cartesian (side a, $\hat{n} = \hat{e}_y$)	$dS = dx dz$
Cartesian (side b, $\hat{n} = \hat{e}_x$)	$dS = dy dz$
cylindrical (top, $\hat{n} = \hat{e}_z$)	$dS = r dr d\theta$
cylindrical (side, $\hat{n} = \hat{e}_r$)	$dS = R d\theta dz$
spherical, ($\hat{n} = \hat{e}_r$)	$dS = R^2 \sin \theta d\theta d\phi$

Coordinate system	volume differential dV
Cartesian	$dV = dx dy dz$
cylindrical	$dV = r dr d\theta dz$
spherical	$dV = r^2 \sin \theta dr d\theta d\phi$

Coordinate system	coordinates	basis vectors
spherical	$x = r \sin \theta \cos \phi$	$\hat{e}_r = (\sin \theta \cos \phi \hat{e}_x) + (\sin \theta \sin \phi \hat{e}_y) + \cos \theta \hat{e}_z$
	$y = r \sin \theta \sin \phi$	$\hat{e}_\theta = (\cos \theta \cos \phi) \hat{e}_x + (\cos \theta \sin \phi) \hat{e}_y + (-\sin \theta) \hat{e}_z$
	$z = r \cos \theta$	$\hat{e}_\phi = (-\sin \phi) \hat{e}_x + \cos \phi \hat{e}_y$
cylindrical	$x = r \cos \theta$	$\hat{e}_r = \cos \theta \hat{e}_x + \sin \theta \hat{e}_y$
	$y = r \sin \theta$	$\hat{e}_\theta = (-\sin \theta) \hat{e}_x + \cos \theta \hat{e}_y$
	$z = z$	$\hat{e}_z = \hat{e}_z$

$$\text{Divergence Theorem} \quad \iint_S \hat{n} \cdot \underline{F} dS = \iiint_V \nabla \cdot \underline{F} dV$$

$$\text{Stokes Theorem} \quad \oint_C \hat{t} \cdot \underline{F} dl = \iint_S \hat{n} \cdot (\nabla \times \underline{F}) dS$$

Vector identities:

$$\nabla \cdot \nabla \times \underline{F} = 0 \quad (\text{Divergence of curl} = 0)$$

$$\nabla \times \nabla f = 0 \quad (\text{Curl of gradient} = 0)$$

$$\nabla (fg) = f \nabla g + g \nabla f$$

$$\underline{F} \cdot \nabla \underline{F} = \frac{1}{2} \nabla (\underline{F}^2) - \underline{F} \times (\nabla \times \underline{F})$$

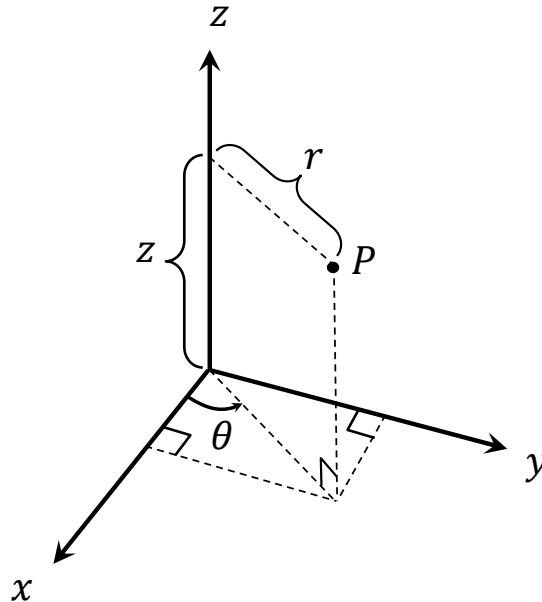
$$\nabla \cdot (f \underline{F}) = f \nabla \cdot \underline{F} + \underline{F} \cdot \nabla f$$

$$\nabla \times \nabla \times \underline{F} = \nabla (\nabla \cdot \underline{F}) - \nabla^2 \underline{F}$$

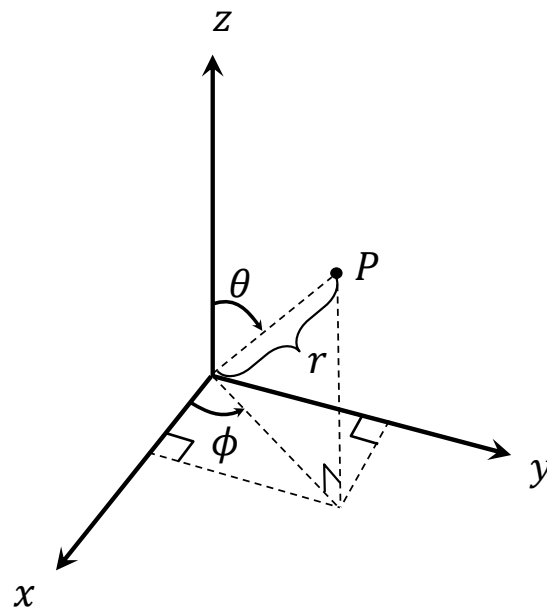
$$\nabla \cdot (\underline{F} \times \underline{G}) = \underline{G} \cdot (\nabla \times \underline{F}) - \underline{F} \cdot (\nabla \times \underline{G})$$

The equations in F. A. Morrison, *An Introduction to Fluid Mechanics* (Cambridge, 2013) assume the following definitions of the cylindrical and spherical coordinate systems.

Cylindrical Coordinate System: Note that the θ -coordinate swings around the z -axis



Spherical Coordinate System: Note that the θ -coordinate swings down from the z -axis; this is different from its definition in the cylindrical system above.



The Equation of Continuity and the Equation of Motion in Cartesian, cylindrical, and spherical coordinates

CM3110 Fall 2011 Faith A. Morrison

Continuity Equation, Cartesian coordinates

$$\frac{\partial \rho}{\partial t} + \left(v_x \frac{\partial \rho}{\partial x} + v_y \frac{\partial \rho}{\partial y} + v_z \frac{\partial \rho}{\partial z} \right) + \rho \left(\frac{\partial v_x}{\partial x} + \frac{\partial v_y}{\partial y} + \frac{\partial v_z}{\partial z} \right) = 0$$

Continuity Equation, cylindrical coordinates

$$\frac{\partial \rho}{\partial t} + \frac{1}{r} \frac{\partial(\rho r v_r)}{\partial r} + \frac{1}{r} \frac{\partial(\rho v_\theta)}{\partial \theta} + \frac{\partial(\rho v_z)}{\partial z} = 0$$

Continuity Equation, spherical coordinates

$$\frac{\partial \rho}{\partial t} + \frac{1}{r^2} \frac{\partial(\rho r^2 v_r)}{\partial r} + \frac{1}{r \sin \theta} \frac{\partial(\rho v_\theta \sin \theta)}{\partial \theta} + \frac{1}{r \sin \theta} \frac{\partial(\rho v_\phi)}{\partial \phi} = 0$$

Equation of Motion for an incompressible fluid, 3 components in Cartesian coordinates

$$\begin{aligned} \rho \left(\frac{\partial v_x}{\partial t} + v_x \frac{\partial v_x}{\partial x} + v_y \frac{\partial v_x}{\partial y} + v_z \frac{\partial v_x}{\partial z} \right) &= -\frac{\partial P}{\partial x} + \left(\frac{\partial \tilde{\tau}_{xx}}{\partial x} + \frac{\partial \tilde{\tau}_{yx}}{\partial y} + \frac{\partial \tilde{\tau}_{zx}}{\partial z} \right) + \rho g_x \\ \rho \left(\frac{\partial v_y}{\partial t} + v_x \frac{\partial v_y}{\partial x} + v_y \frac{\partial v_y}{\partial y} + v_z \frac{\partial v_y}{\partial z} \right) &= -\frac{\partial P}{\partial y} + \left(\frac{\partial \tilde{\tau}_{xy}}{\partial x} + \frac{\partial \tilde{\tau}_{yy}}{\partial y} + \frac{\partial \tilde{\tau}_{zy}}{\partial z} \right) + \rho g_y \\ \rho \left(\frac{\partial v_z}{\partial t} + v_x \frac{\partial v_z}{\partial x} + v_y \frac{\partial v_z}{\partial y} + v_z \frac{\partial v_z}{\partial z} \right) &= -\frac{\partial P}{\partial z} + \left(\frac{\partial \tilde{\tau}_{xz}}{\partial x} + \frac{\partial \tilde{\tau}_{yz}}{\partial y} + \frac{\partial \tilde{\tau}_{zz}}{\partial z} \right) + \rho g_z \end{aligned}$$

Equation of Motion for an incompressible fluid, 3 components in cylindrical coordinates

$$\begin{aligned} \rho \left(\frac{\partial v_r}{\partial t} + v_r \frac{\partial v_r}{\partial r} + \frac{v_\theta}{r} \frac{\partial v_r}{\partial \theta} - \frac{v_\theta^2}{r} + v_z \frac{\partial v_r}{\partial z} \right) &= -\frac{\partial P}{\partial r} + \left(\frac{1}{r} \frac{\partial(r \tilde{\tau}_{rr})}{\partial r} + \frac{1}{r} \frac{\partial \tilde{\tau}_{\theta r}}{\partial \theta} - \frac{\tilde{\tau}_{\theta\theta}}{r} + \frac{\partial \tilde{\tau}_{zr}}{\partial z} \right) + \rho g_r \\ \rho \left(\frac{\partial v_\theta}{\partial t} + v_r \frac{\partial v_\theta}{\partial r} + \frac{v_\theta}{r} \frac{\partial v_\theta}{\partial \theta} + \frac{v_\theta v_r}{r} + v_z \frac{\partial v_\theta}{\partial z} \right) &= -\frac{1}{r} \frac{\partial P}{\partial \theta} + \left(\frac{1}{r^2} \frac{\partial(r^2 \tilde{\tau}_{r\theta})}{\partial r} + \frac{1}{r} \frac{\partial \tilde{\tau}_{\theta\theta}}{\partial \theta} + \frac{\partial \tilde{\tau}_{z\theta}}{\partial z} + \frac{\tilde{\tau}_{\theta r} - \tilde{\tau}_{r\theta}}{r} \right) + \rho g_\theta \\ \rho \left(\frac{\partial v_z}{\partial t} + v_r \frac{\partial v_z}{\partial r} + \frac{v_\theta}{r} \frac{\partial v_z}{\partial \theta} + v_z \frac{\partial v_z}{\partial z} \right) &= -\frac{\partial P}{\partial z} + \left(\frac{1}{r} \frac{\partial(r \tilde{\tau}_{rz})}{\partial r} + \frac{1}{r} \frac{\partial \tilde{\tau}_{\theta z}}{\partial \theta} + \frac{\partial \tilde{\tau}_{zz}}{\partial z} \right) + \rho g_z \end{aligned}$$

Equation of Motion for an incompressible fluid, 3 components in spherical coordinates

$$\begin{aligned} &\rho \left(\frac{\partial v_r}{\partial t} + v_r \frac{\partial v_r}{\partial r} + \frac{v_\theta}{r} \frac{\partial v_r}{\partial \theta} + \frac{v_\phi}{r \sin \theta} \frac{\partial v_r}{\partial \phi} - \frac{v_\theta^2 + v_\phi^2}{r} \right) \\ &= -\frac{\partial P}{\partial r} + \left(\frac{1}{r^2} \frac{\partial(r^2 \tilde{\tau}_{rr})}{\partial r} + \frac{1}{r \sin \theta} \frac{\partial(\tilde{\tau}_{\theta r} \sin \theta)}{\partial \theta} + \frac{1}{r \sin \theta} \frac{\partial \tilde{\tau}_{\phi r}}{\partial \phi} - \frac{\tilde{\tau}_{\theta\theta} + \tilde{\tau}_{\phi\phi}}{r} \right) + \rho g_r \\ &\rho \left(\frac{\partial v_\theta}{\partial t} + v_r \frac{\partial v_\theta}{\partial r} + \frac{v_\theta}{r} \frac{\partial v_\theta}{\partial \theta} + \frac{v_\phi}{r \sin \theta} \frac{\partial v_\theta}{\partial \phi} + \frac{v_r v_\theta}{r} - \frac{v_\phi^2 \cot \theta}{r} \right) \\ &= -\frac{1}{r} \frac{\partial P}{\partial \theta} + \left(\frac{1}{r^3} \frac{\partial(r^3 \tilde{\tau}_{r\theta})}{\partial r} + \frac{1}{r \sin \theta} \frac{\partial(\tilde{\tau}_{\theta\theta} \sin \theta)}{\partial \theta} + \frac{1}{r \sin \theta} \frac{\partial \tilde{\tau}_{\phi\theta}}{\partial \phi} + \frac{\tilde{\tau}_{\theta r} - \tilde{\tau}_{r\theta}}{r} - \frac{\tilde{\tau}_{\phi\phi} \cot \theta}{r} \right) + \rho g_\theta \\ &\rho \left(\frac{\partial v_\phi}{\partial t} + v_r \frac{\partial v_\phi}{\partial r} + \frac{v_\theta}{r} \frac{\partial v_\phi}{\partial \theta} + \frac{v_\phi}{r \sin \theta} \frac{\partial v_\phi}{\partial \phi} + \frac{v_r v_\phi}{r} + \frac{v_\theta v_\phi \cot \theta}{r} \right) \\ &= -\frac{1}{r \sin \theta} \frac{\partial P}{\partial \phi} + \left(\frac{1}{r^3} \frac{\partial(r^3 \tilde{\tau}_{r\phi})}{\partial r} + \frac{1}{r \sin \theta} \frac{\partial(\tilde{\tau}_{\theta\phi} \sin \theta)}{\partial \theta} + \frac{1}{r \sin \theta} \frac{\partial \tilde{\tau}_{\phi\phi}}{\partial \phi} + \frac{\tilde{\tau}_{\phi r} - \tilde{\tau}_{r\phi}}{r} + \frac{\tilde{\tau}_{\theta\theta} \cot \theta}{r} \right) + \rho g_\phi \end{aligned}$$

Equation of Motion for incompressible, Newtonian fluid (Navier-Stokes equation) 3 components in Cartesian coordinates

$$\begin{aligned}\rho \left(\frac{\partial v_x}{\partial t} + v_x \frac{\partial v_x}{\partial x} + v_y \frac{\partial v_x}{\partial y} + v_z \frac{\partial v_x}{\partial z} \right) &= -\frac{\partial P}{\partial x} + \mu \left(\frac{\partial^2 v_x}{\partial x^2} + \frac{\partial^2 v_x}{\partial y^2} + \frac{\partial^2 v_x}{\partial z^2} \right) + \rho g_x \\ \rho \left(\frac{\partial v_y}{\partial t} + v_x \frac{\partial v_y}{\partial x} + v_y \frac{\partial v_y}{\partial y} + v_z \frac{\partial v_y}{\partial z} \right) &= -\frac{\partial P}{\partial y} + \mu \left(\frac{\partial^2 v_y}{\partial x^2} + \frac{\partial^2 v_y}{\partial y^2} + \frac{\partial^2 v_y}{\partial z^2} \right) + \rho g_y \\ \rho \left(\frac{\partial v_z}{\partial t} + v_x \frac{\partial v_z}{\partial x} + v_y \frac{\partial v_z}{\partial y} + v_z \frac{\partial v_z}{\partial z} \right) &= -\frac{\partial P}{\partial z} + \mu \left(\frac{\partial^2 v_z}{\partial x^2} + \frac{\partial^2 v_z}{\partial y^2} + \frac{\partial^2 v_z}{\partial z^2} \right) + \rho g_z\end{aligned}$$

Equation of Motion for incompressible, Newtonian fluid (Navier-Stokes equation), 3 components in cylindrical coordinates

$$\begin{aligned}\rho \left(\frac{\partial v_r}{\partial t} + v_r \frac{\partial v_r}{\partial r} + \frac{v_\theta}{r} \frac{\partial v_r}{\partial \theta} - \frac{v_\theta^2}{r} + v_z \frac{\partial v_r}{\partial z} \right) &= -\frac{\partial P}{\partial r} + \mu \left(\frac{\partial}{\partial r} \left(\frac{1}{r} \frac{\partial (r v_r)}{\partial r} \right) + \frac{1}{r^2} \frac{\partial^2 v_r}{\partial \theta^2} - \frac{2}{r^2} \frac{\partial v_\theta}{\partial \theta} + \frac{\partial^2 v_r}{\partial z^2} \right) + \rho g_r \\ \rho \left(\frac{\partial v_\theta}{\partial t} + v_r \frac{\partial v_\theta}{\partial r} + \frac{v_\theta}{r} \frac{\partial v_\theta}{\partial \theta} + \frac{v_r v_\theta}{r} + v_z \frac{\partial v_\theta}{\partial z} \right) &= -\frac{1}{r} \frac{\partial P}{\partial \theta} + \mu \left(\frac{\partial}{\partial r} \left(\frac{1}{r} \frac{\partial (r v_\theta)}{\partial r} \right) + \frac{1}{r^2} \frac{\partial^2 v_\theta}{\partial \theta^2} + \frac{2}{r^2} \frac{\partial v_r}{\partial \theta} + \frac{\partial^2 v_\theta}{\partial z^2} \right) + \rho g_\theta \\ \rho \left(\frac{\partial v_z}{\partial t} + v_r \frac{\partial v_z}{\partial r} + \frac{v_\theta}{r} \frac{\partial v_z}{\partial \theta} + v_z \frac{\partial v_z}{\partial z} \right) &= -\frac{\partial P}{\partial z} + \mu \left(\frac{1}{r} \frac{\partial}{\partial r} \left(r \frac{\partial v_z}{\partial r} \right) + \frac{1}{r^2} \frac{\partial^2 v_z}{\partial \theta^2} + \frac{\partial^2 v_z}{\partial z^2} \right) + \rho g_z\end{aligned}$$

Equation of Motion for incompressible, Newtonian fluid (Navier-Stokes equation), 3 components in spherical coordinates

$$\begin{aligned}\rho \left(\frac{\partial v_r}{\partial t} + v_r \frac{\partial v_r}{\partial r} + \frac{v_\theta}{r} \frac{\partial v_r}{\partial \theta} + \frac{v_\phi}{r \sin \theta} \frac{\partial v_r}{\partial \phi} - \frac{v_\theta^2 + v_\phi^2}{r} \right) &= -\frac{\partial P}{\partial r} + \mu \left(\frac{\partial}{\partial r} \left(\frac{1}{r^2} \frac{\partial}{\partial r} (r^2 v_r) \right) + \frac{1}{r^2 \sin \theta} \frac{\partial}{\partial \theta} \left(\sin \theta \frac{\partial v_r}{\partial \theta} \right) + \frac{1}{r^2 \sin^2 \theta} \frac{\partial^2 v_r}{\partial \phi^2} \right. \\ &\quad \left. - \frac{2}{r^2 \sin \theta} \frac{\partial}{\partial \theta} (v_\theta \sin \theta) - \frac{2}{r^2 \sin \theta} \frac{\partial v_\phi}{\partial \phi} \right) + \rho g_r \\ \rho \left(\frac{\partial v_\theta}{\partial t} + v_r \frac{\partial v_\theta}{\partial r} + \frac{v_\theta}{r} \frac{\partial v_\theta}{\partial \theta} + \frac{v_\phi}{r \sin \theta} \frac{\partial v_\theta}{\partial \phi} + \frac{v_r v_\theta}{r} - \frac{v_\phi^2 \cot \theta}{r} \right) &= -\frac{1}{r} \frac{\partial P}{\partial \theta} + \mu \left(\frac{1}{r^2} \frac{\partial}{\partial r} \left(r^2 \frac{\partial v_\theta}{\partial r} \right) + \frac{1}{r^2} \frac{\partial}{\partial \theta} \left(\frac{1}{\sin \theta} \frac{\partial}{\partial \theta} (v_\theta \sin \theta) \right) + \frac{1}{r^2 \sin^2 \theta} \frac{\partial^2 v_\theta}{\partial \phi^2} \right. \\ &\quad \left. + \frac{2}{r^2} \frac{\partial v_r}{\partial \theta} - \frac{2 \cot \theta}{r^2 \sin \theta} \frac{\partial v_\phi}{\partial \phi} \right) + \rho g_\theta \\ \rho \left(\frac{\partial v_\phi}{\partial t} + v_r \frac{\partial v_\phi}{\partial r} + \frac{v_\theta}{r} \frac{\partial v_\phi}{\partial \theta} + \frac{v_\phi}{r \sin \theta} \frac{\partial v_\phi}{\partial \phi} + \frac{v_r v_\phi}{r} + \frac{v_\phi v_\theta \cot \theta}{r} \right) &= -\frac{1}{r \sin \theta} \frac{\partial P}{\partial \phi} + \mu \left(\frac{1}{r^2} \frac{\partial}{\partial r} \left(r^2 \frac{\partial v_\phi}{\partial r} \right) + \frac{1}{r^2} \frac{\partial}{\partial \theta} \left(\frac{1}{\sin \theta} \frac{\partial}{\partial \theta} (v_\phi \sin \theta) \right) + \frac{1}{r^2 \sin^2 \theta} \frac{\partial^2 v_\phi}{\partial \phi^2} \right. \\ &\quad \left. + \frac{2}{r^2 \sin \theta} \frac{\partial v_r}{\partial \phi} + \frac{2 \cot \theta}{r^2 \sin \theta} \frac{\partial v_\theta}{\partial \phi} \right) + \rho g_\phi\end{aligned}$$

Note: the r -component of the Navier-Stokes equation in spherical coordinates may be simplified by adding $0 = \frac{2}{r} \nabla \cdot \underline{v}$ to the component shown above. This term is zero due to the continuity equation (mass conservation). See Bird et. al.

References:

1. R. B. Bird, W. E. Stewart, and E. N. Lightfoot, *Transport Phenomena*, 2nd edition, Wiley: NY, 2002.
2. R. B. Bird, R. C. Armstrong, and O. Hassager, *Dynamics of Polymeric Fluids: Volume 1 Fluid Mechanics*, Wiley: NY, 1987.

FACTORS FOR UNIT CONVERSIONS

Quantity	Equivalent Values
Mass	$1 \text{ kg} = 1000 \text{ g} = 0.001 \text{ metric ton} = 2.20462 \text{ lb}_m = 35.27392 \text{ oz}$ $1 \text{ lb}_m = 16 \text{ oz} = 5 \times 10^{-4} \text{ ton} = 453.593 \text{ g} = 0.453593 \text{ kg}$
Length	$1 \text{ m} = 100 \text{ cm} = 1000 \text{ mm} = 10^6 \text{ microns } (\mu\text{m}) = 10^{10} \text{ angstroms } (\text{\AA})$ $= 39.37 \text{ in} = 3.2808 \text{ ft} = 1.0936 \text{ yd} = 0.0006214 \text{ mile}$ $1 \text{ ft} = 12 \text{ in.} = 1/3 \text{ yd} = 0.3048 \text{ m} = 30.48 \text{ cm}$
Volume	$1 \text{ m}^3 = 1000 \text{ liters} = 10^6 \text{ cm}^3 = 10^6 \text{ ml}$ $= 35.3145 \text{ ft}^3 = 220.83 \text{ imperial gallons} = 264.17 \text{ gal}$ $= 1056.68 \text{ qt}$ $1 \text{ ft}^3 = 1728 \text{ in}^3 = 7.4805 \text{ gal} = 0.028317 \text{ m}^3 = 28.317 \text{ liters}$ $= 28\,317 \text{ cm}^3$
Force	$1 \text{ N} = 1 \text{ kg}\cdot\text{m}/\text{s}^2 = 10^5 \text{ dynes} = 10^5 \text{ g}\cdot\text{cm}/\text{s}^2 = 0.22481 \text{ lb}_f$ $1 \text{ lb}_f = 32.174 \text{ lb}_m\cdot\text{ft}/\text{s}^2 = 4.4482 \text{ N} = 4.4482 \times 10^5 \text{ dynes}$
Pressure	$1 \text{ atm} = 1.01325 \times 10^5 \text{ N}/\text{m}^2 \text{ (Pa)} = 101.325 \text{ kPa} = 1.01325 \text{ bars}$ $= 1.01325 \times 10^6 \text{ dynes}/\text{cm}^2$ $= 760 \text{ mm Hg at } 0^\circ \text{ C (torr)} = 10.333 \text{ m H}_2\text{O at } 4^\circ \text{ C}$ $= 14.696 \text{ lb}_f/\text{in}^2 \text{ (psi)} = 33.9 \text{ ft H}_2\text{O at } 4^\circ \text{ C}$ $100 \text{ kPa} = 1 \text{ bar}$
Energy	$1 \text{ J} = 1 \text{ N}\cdot\text{m} = 10^7 \text{ ergs} = 10^7 \text{ dyne}\cdot\text{cm}$ $= 2.778 \times 10^{-7} \text{ kW}\cdot\text{h} = 0.23901 \text{ cal}$ $= 0.7376 \text{ ft}\cdot\text{lb}_f = 9.47817 \times 10^{-4} \text{ Btu}$
Power	$1 \text{ W} = 1 \text{ J}/\text{s} = 0.23885 \text{ cal}/\text{s} = 0.7376 \text{ ft}\cdot\text{lb}_f/\text{s} = 9.47817 \times 10^{-4} \text{ Btu}/\text{s} = 3.4121 \text{ Btu}/\text{h}$ $= 1.341 \times 10^{-3} \text{ hp (horsepower)}$
Viscosity	$1 \text{ Pa}\cdot\text{s} = 1 \text{ N}\cdot\text{s}/\text{m}^2 = 1 \text{ kg}/\text{m}\cdot\text{s}$ $= 10 \text{ poise} = 10 \text{ dynes}\cdot\text{s}/\text{cm}^2 = 10 \text{ g}/\text{cm}\cdot\text{s}$ $= 10^3 \text{ cp (centipoise)}$ $= 0.67197 \text{ lb}_m/\text{ft}\cdot\text{s} = 2419.088 \text{ lb}_m/\text{ft}\cdot\text{h}$
Density	$1 \text{ kg}/\text{m}^3 = 10^{-3} \text{ g}/\text{cm}^3$ $= 0.06243 \text{ lb}_m/\text{ft}^3$ $10^3 \text{ kg}/\text{m}^3 = 1 \text{ g}/\text{cm}^3 = 62.428 \text{ lb}_m/\text{ft}^3$
Volumetric Flow	$1 \text{ m}^3/\text{s} = 35.3145 \text{ ft}^3/\text{s} = 15,850.2 \text{ gal}/\text{min} \text{ (gpm)}$ $1 \text{ gpm} = 6.30907 \times 10^{-5} \text{ m}^3/\text{s} = 2.22802 \times 10^{-3} \text{ ft}^3/\text{s} = 3.7854 \text{ liter}/\text{min}$ $1 \text{ liter}/\text{min} = 0.26417 \text{ gpm}$

Temperature	$T(^{\circ}C) = \frac{5}{9}[T(^{\circ}F) - 32]$ $T(^{\circ}F) = \frac{9}{5}T(^{\circ}C) + 32 = 1.8T(^{\circ}C) + 32$
Absolute Temperature	$T(K) = T(^{\circ}C) + 273.15$ $T(^{\circ}R) = T(^{\circ}F) + 459.67$
Temperature Interval (ΔT)	$1 C^{\circ} = 1 K = 1.8 F^{\circ} = 1.8 R^{\circ}$ $1 F^{\circ} = 1 R^{\circ} = (5/9) C^{\circ} = (5/9) K$

USEFUL QUANTITIES

$$SG = \rho(20^{\circ}C) / \rho_{\text{water}}(4^{\circ}C)$$

$$\rho_{\text{water}}(4^{\circ}C) = 1000 \text{ kg/m}^3 = 62.43 \text{ lb}_m/\text{ft}^3 = 1.000 \text{ g/cm}^3$$

$$\rho_{\text{water}}(25^{\circ}C) = 997.08 \text{ kg/m}^3 = 62.25 \text{ lb}_m/\text{ft}^3 = 0.99709 \text{ g/cm}^3$$

$$g = 9.8066 \text{ m/s}^2 = 980.66 \text{ cm/s}^2 = 32.174 \text{ ft/s}^2$$

$$\begin{aligned} \mu_{\text{water}}(25^{\circ}C) &= 8.937 \times 10^{-4} \text{ Pa}\cdot\text{s} = 8.937 \times 10^{-4} \text{ kg/m}\cdot\text{s} \\ &= 0.8937 \text{ cp} = 0.8937 \times 10^{-2} \text{ g/cm}\cdot\text{s} = 6.005 \times 10^{-4} \text{ lb}_m/\text{ft}\cdot\text{s} \end{aligned}$$

Composition of air:	N ₂	78.03%
	O ₂	20.99%
	Ar	0.94%
	CO ₂	0.03%
	H ₂ , He, Ne, Kr, Xe	<u>0.01%</u>
		100.00%

$$M_{\text{air}} = 29 \text{ g/mol} = 29 \text{ kg/kmol} = 29 \text{ lb}_m/\text{lbmole}$$

$$\hat{C}_{p,\text{water}}(25^{\circ}C) = 4.182 \text{ kJ/kg}\cdot\text{K} = 0.9989 \text{ cal/g}\cdot\text{C} = 0.9997 \text{ Btu/lb}_m\cdot\text{F}$$

$$\begin{aligned} R &= 8.314 \text{ m}^3\text{Pa/mol}\cdot\text{K} = 0.08314 \text{ liter}\cdot\text{bar/mol}\cdot\text{K} = 0.08206 \text{ liter}\cdot\text{atm/mol}\cdot\text{K} \\ &= 62.36 \text{ liter}\cdot\text{mm Hg/mol}\cdot\text{K} = 0.7302 \text{ ft}^3\cdot\text{atm/lbmole}\cdot\text{R} \\ &= 10.73 \text{ ft}^3\cdot\text{psia/lbmole}\cdot\text{R} \\ &= 8.314 \text{ J/mol}\cdot\text{K} \\ &= 1.987 \text{ cal/mol}\cdot\text{K} = 1.987 \text{ Btu/lbmole}\cdot\text{R} \end{aligned}$$

The Newtonian Constitutive Equation in Cartesian, Cylindrical, and Spherical coordinates

Prof. Faith A. Morrison, Michigan Technological University

Cartesian Coordinates

$$\begin{pmatrix} \tilde{\tau}_{xx} & \tilde{\tau}_{xy} & \tilde{\tau}_{xz} \\ \tilde{\tau}_{yx} & \tilde{\tau}_{yy} & \tilde{\tau}_{yz} \\ \tilde{\tau}_{zx} & \tau_{zy} & \tilde{\tau}_{zz} \end{pmatrix}_{xyz} = \mu \begin{pmatrix} 2 \frac{\partial v_x}{\partial x} & \frac{\partial v_x}{\partial y} + \frac{\partial v_y}{\partial x} & \frac{\partial v_x}{\partial z} + \frac{\partial v_z}{\partial x} \\ \frac{\partial v_x}{\partial y} + \frac{\partial v_y}{\partial x} & 2 \frac{\partial v_y}{\partial y} & \frac{\partial v_y}{\partial z} + \frac{\partial v_z}{\partial y} \\ \frac{\partial v_x}{\partial z} + \frac{\partial v_z}{\partial x} & \frac{\partial v_y}{\partial z} + \frac{\partial v_z}{\partial y} & 2 \frac{\partial v_z}{\partial z} \end{pmatrix}_{xyz}$$

Cylindrical Coordinates

$$\begin{pmatrix} \tilde{\tau}_{rr} & \tilde{\tau}_{r\theta} & \tilde{\tau}_{rz} \\ \tilde{\tau}_{\theta r} & \tilde{\tau}_{\theta\theta} & \tilde{\tau}_{\theta z} \\ \tilde{\tau}_{zr} & \tau_{z\theta} & \tilde{\tau}_{zz} \end{pmatrix}_{r\theta z} = \mu \begin{pmatrix} 2 \frac{\partial v_r}{\partial r} & r \frac{\partial}{\partial r} \left(\frac{v_\theta}{r} \right) + \frac{1}{r} \frac{\partial v_r}{\partial \theta} & \frac{\partial v_r}{\partial z} + \frac{\partial v_z}{\partial r} \\ r \frac{\partial}{\partial r} \left(\frac{v_\theta}{r} \right) + \frac{1}{r} \frac{\partial v_r}{\partial \theta} & 2 \left(\frac{1}{r} \frac{\partial v_\theta}{\partial \theta} + \frac{v_r}{r} \right) & \frac{1}{r} \frac{\partial v_z}{\partial \theta} + \frac{\partial v_\theta}{\partial z} \\ \frac{\partial v_r}{\partial z} + \frac{\partial v_z}{\partial r} & \frac{1}{r} \frac{\partial v_z}{\partial \theta} + \frac{\partial v_\theta}{\partial z} & 2 \frac{\partial v_z}{\partial z} \end{pmatrix}_{r\theta z}$$

Spherical Coordinates

$$\begin{pmatrix} \tilde{\tau}_{rr} & \tilde{\tau}_{r\theta} & \tilde{\tau}_{r\phi} \\ \tilde{\tau}_{\theta r} & \tilde{\tau}_{\theta\theta} & \tilde{\tau}_{\theta\phi} \\ \tilde{\tau}_{\phi r} & \tau_{\phi\theta} & \tilde{\tau}_{\phi\phi} \end{pmatrix}_{r\theta\phi} = \mu \begin{pmatrix} 2 \frac{\partial v_r}{\partial r} & r \frac{\partial}{\partial r} \left(\frac{v_\theta}{r} \right) + \frac{1}{r} \frac{\partial v_r}{\partial \theta} & \frac{1}{r \sin \theta} \frac{\partial v_r}{\partial \phi} + r \frac{\partial}{\partial r} \left(\frac{v_\phi}{r} \right) \\ r \frac{\partial}{\partial r} \left(\frac{v_\theta}{r} \right) + \frac{1}{r} \frac{\partial v_r}{\partial \theta} & 2 \left(\frac{1}{r} \frac{\partial v_\theta}{\partial \theta} + \frac{v_r}{r} \right) & \frac{\sin \theta}{r} \frac{\partial}{\partial \theta} \left(\frac{v_\phi}{\sin \theta} \right) + \frac{1}{r \sin \theta} \frac{\partial v_\theta}{\partial \phi} \\ \frac{1}{r \sin \theta} \frac{\partial v_r}{\partial \phi} + r \frac{\partial}{\partial r} \left(\frac{v_\phi}{r} \right) & \frac{\sin \theta}{r} \frac{\partial}{\partial \theta} \left(\frac{v_\phi}{\sin \theta} \right) + \frac{1}{r \sin \theta} \frac{\partial v_\theta}{\partial \phi} & 2 \left(\frac{1}{r \sin \theta} \frac{\partial v_\phi}{\partial \phi} + \frac{v_r}{r} + \frac{v_\theta \cot \theta}{r} \right) \end{pmatrix}_{r\theta\phi}$$

These expressions are general and are applicable to three-dimensional flows. For unidirectional flows they reduce to Newton's law of Viscosity. Reference: Faith A. Morrison, *An Introduction to Fluid Mechanics* (Cambridge University Press: New York, 2013)