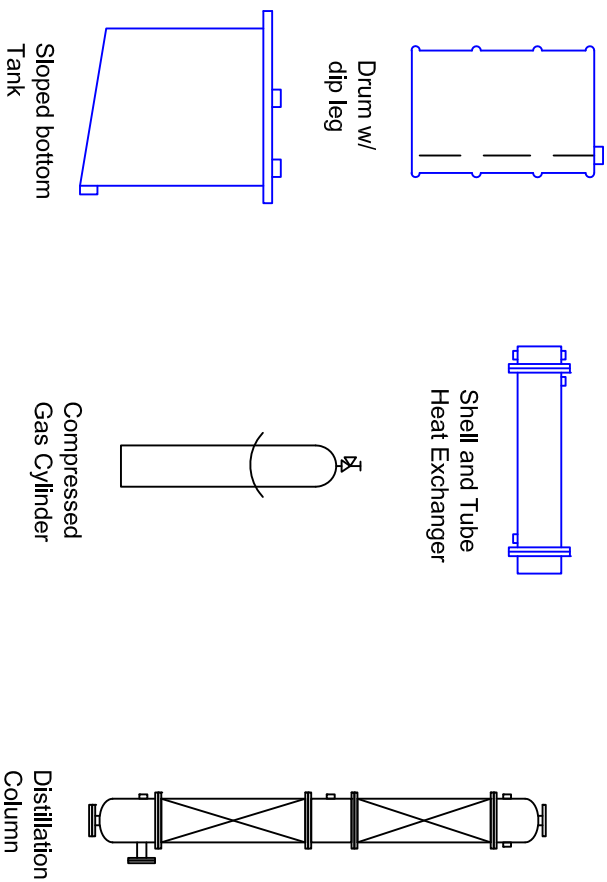
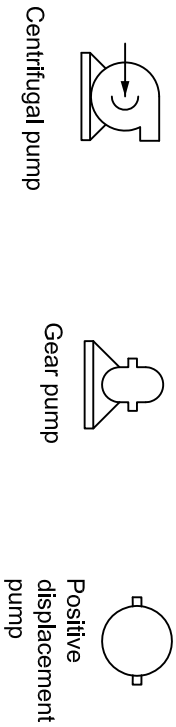


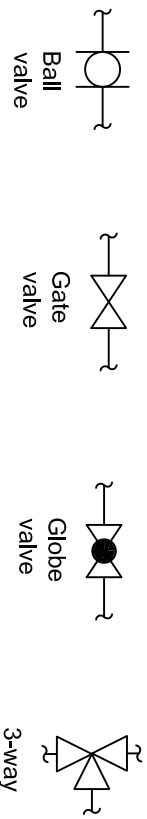
Equipment diagrams will use more of a pictorial representation of the process equipment than either the process flow or piping and instrument diagram. Here's a few examples of equipment:



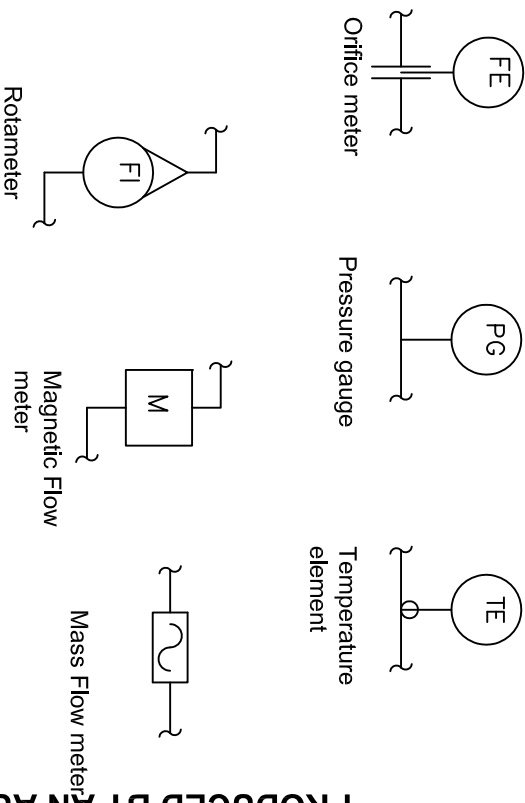
Here are a few standard pump symbols that might be used in equipment diagrams, P&ID's, or PFD's:



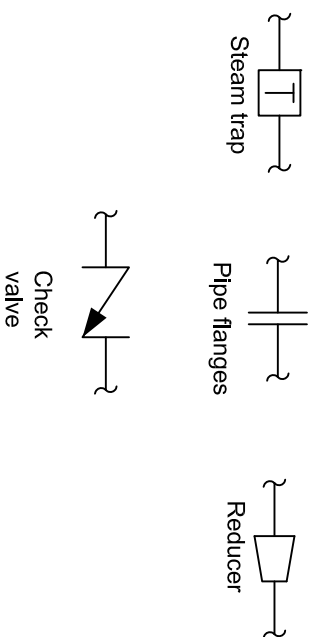
Valve symbols are fairly standard and will look similar in any of the three types of process drawings. Any variations are a matter of corporate or site preferences.



Some of the more common instrument symbols:



Some of the pipe fittings look like this:



A guide for preparing Equipment Diagrams as part of the JSA for CM4110, Unit Operations Laboratory.